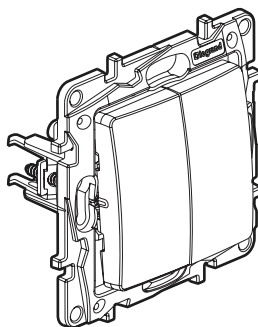


## Two-way switch 10 AX + push button 6 A



### 1. USAGE

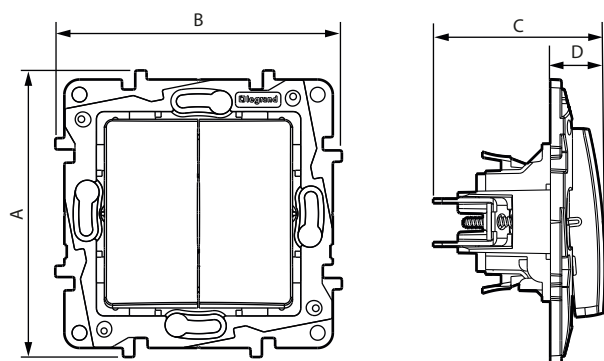
Mechanisms of mixed lighting controls.  
Supplied with rockers and support frames.  
To be equipped with one-gang or multi-gang plates.  
Flush or surface mounting.  
Fixing with screws or/and claws

### 2. RANGE

#### 10 AX TWO-WAY SWITCH and PUSH-BUTTON 6 A - 250 V~ - with claws

Description	White	Ivory
Two-way switch + NO-NC push-button	7 645 09	7 646 09

### 3. DIMENSIONS (mm)



A	B	C	D
76	76	45,5	14,5

### 4. CONNECTION

Automatic terminals  
Terminal capacity: 2 x 2.5 mm<sup>2</sup>  
Stripping length: 13 mm  
Compatible with flexible or rigid cables.

### 5. TECHNICAL CHARACTERISTICS

#### ■ 5.1 Mechanical characteristics

Protection against solid bodies and liquids: IP20  
Protection against impacts: IK 04

#### ■ 5.2 Material characteristics

Polyglass appearance  
Colour: - White RAL 9003  
- Ivory RAL 1013

Material: - Mechanism housing: PC  
- Rocker plate: ABS  
- Halogen free  
- UV resistant  
- Claws: steel

Material of the support: - PC grey RAL 7037  
- Halogen free

Self-extinguishing:

+ 850° C / 30 s for insulating parts holding live parts in place.  
+ 650° C / 30 s for other parts made of insulating materials.

#### ■ 5.3 Electrical characteristics

Voltage: 250 V~  
Current: 10 AX for two-way switch and 6 A for push-button  
Frequency: 50/60 Hz

#### ■ 5.4 Climatic characteristics

Storage temperature: - 10° C to + 70° C  
Use temperature: - 5° C to + 40° C

### 6. MAINTENANCE

Surface cleaning with a cloth.  
Do not use: acetone, tar remover, trichloroethylene.

Maintenance with the following products:  
Hexane (EN 60669-1), Methylated spirit, Soapy water, Diluted ammonia, Bleach diluted to 10%, Window-cleaning products.

**Caution:** A preliminary test should be carried out if other specific cleaning products are to be used.

### 7. STANDARDS AND APPROVALS

Compliant with installation and manufacturing standards.  
See e-catalogue.